



brands you trust.



Saunders[®] S360 Actuator Technical Datasheet

CRANE[®]

www.cranecpe.com

Saunders® S360 Lite

The Saunders® S360 Lite range provides excellent closure performance for normally closed applications in a compact and lightweight package and is ideal for most applications. The S360 Lite fits into tight piping arrays and its compact size can even help reduce block valve design. It is available through sizes DN8 – DN100 (0.25" – 4.00").

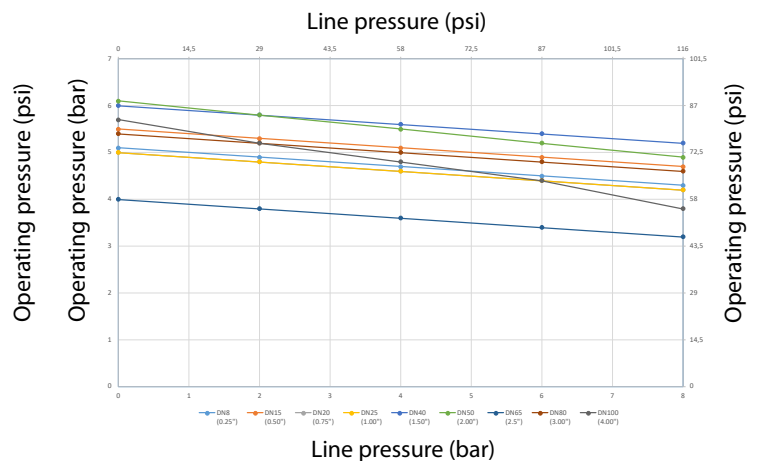
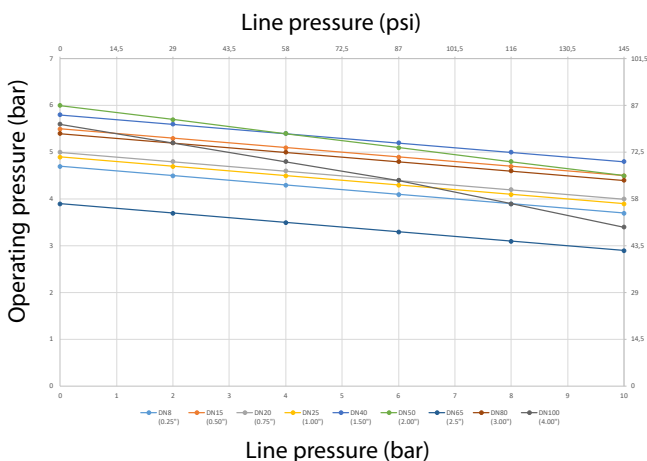


Closure Performance (Saunders® S360 Lite Normally Closed)				
Size	Line Pressure		Control Pressure	Weight
	PTFE	Rubber		
DN8 (0.25")	16bar (232psi)	16bar (232psi)	6bar (87psi)	0.5kg (1.1lbs)
DN15 (0.50")	8bar (116 psi)	10bar (145 psi)	6bar (87psi)	1.0kg (2.3lbs)
DN20 (0.75")	8bar (116 psi)	10bar (145 psi)	6bar (87psi)	1.9kg (4.3lbs)
DN25 (1.00")	8bar (116 psi)	10bar (145 psi)	6bar (87psi)	2.6kg (5.6lbs)
DN40 (1.50")	8bar (116 psi)	10bar (145 psi)	6bar (87psi)	3.3kg (7.7lbs)
DN50 (2.00")	8bar (116 psi)	10bar (145 psi)	6bar (87psi)	6.0kg (13.4lbs)
DN65 (2.50")	8bar (116 psi)	10bar (145 psi)	6bar (87psi)	16.5kg (36.4lbs)
DN80 (3.00")	8bar (116 psi)	10bar (145 psi)	6bar (87psi)	32kg (70.6lbs)
DN100 (4.00")	8bar (116 psi)	10bar (145 psi)	6bar (87psi)	33.5kg (73.9lbs)

All pressures are gauge pressures. Line pressure values were determined with pressure on one side of the weir only. This condition is called 100% pressure drop, or 100% ΔP. Information on line pressure applied to both upstream and downstream sides of the weir is available on request.

Performance characteristics for S360 Lite Actuators Normally Closed with Elastomer Diaphragms at 100% ΔP

Performance characteristics for S360 Lite Actuators Normally Closed with PTFE Diaphragms at 100% ΔP



Graphs denote the operating air required to fully open the actuator at a given line pressure.

Saunders® S360 Power

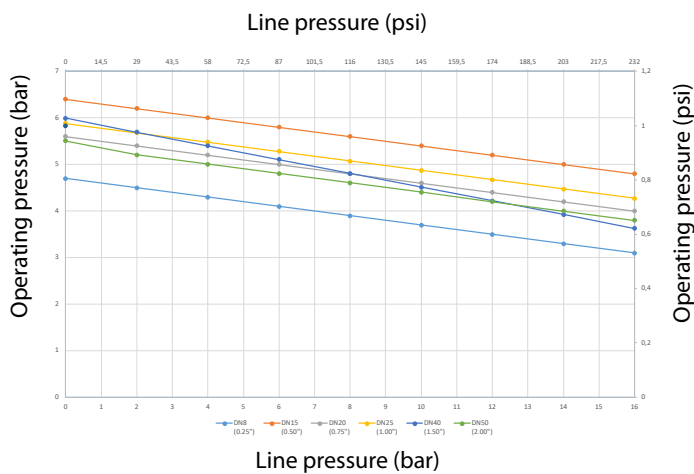
The Saunders® S360 Power range offers higher operating closure performance in a compact package for high operating pressure or atypical closing conditions with high pressure on both sides of the weir. The S360 Power normally close actuator is available through sizes DN15 – DN50 (0.50" – 2.00").



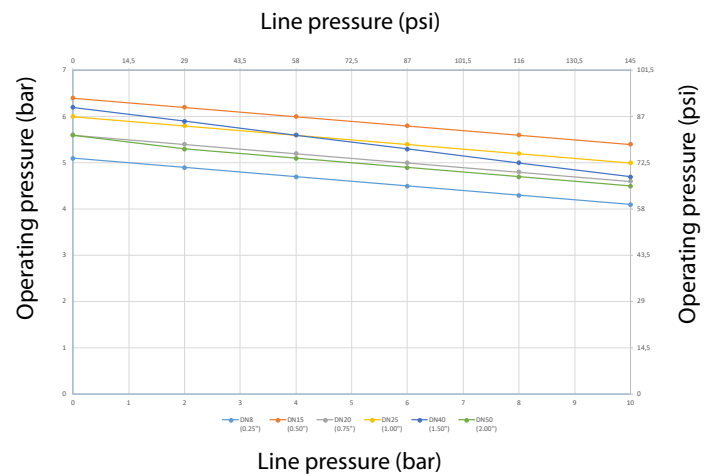
Closure Performance (Saunders® S360 Power Normally Closed)				
Size	Line Pressure		Control Pressure	Weight
	PTFE	Rubber		
DN15 (0.50")	16bar (232psi)	16bar (232psi)	6bar (87psi)	1.1kg (2.4lbs)
DN20 (0.75")	16bar (232psi)	16bar (232psi)	6bar (87psi)	2.5kg (5.5lbs)
DN25 (1.00")	16bar (232psi)	16bar (232psi)	6bar (87psi)	2.6kg (5.7lbs)
DN40 (1.50")	16bar (232psi)	16bar (232psi)	6bar (87psi)	5.3kg (11.7lbs)
DN50 (2.00")	16bar (232psi)	16bar (232psi)	6bar (87psi)	8.8kg (19.4lbs)

All pressures are gauge pressures. Line pressure values were determined with pressure on one side of the weir only. This condition is called 100% pressure drop, or 100% ΔP. Information on line pressure applied to both upstream and downstream sides of the weir is available on request.

Performance characteristics for S360 Power Actuators Normally Closed with Elastomer Diaphragms at 100% ΔP



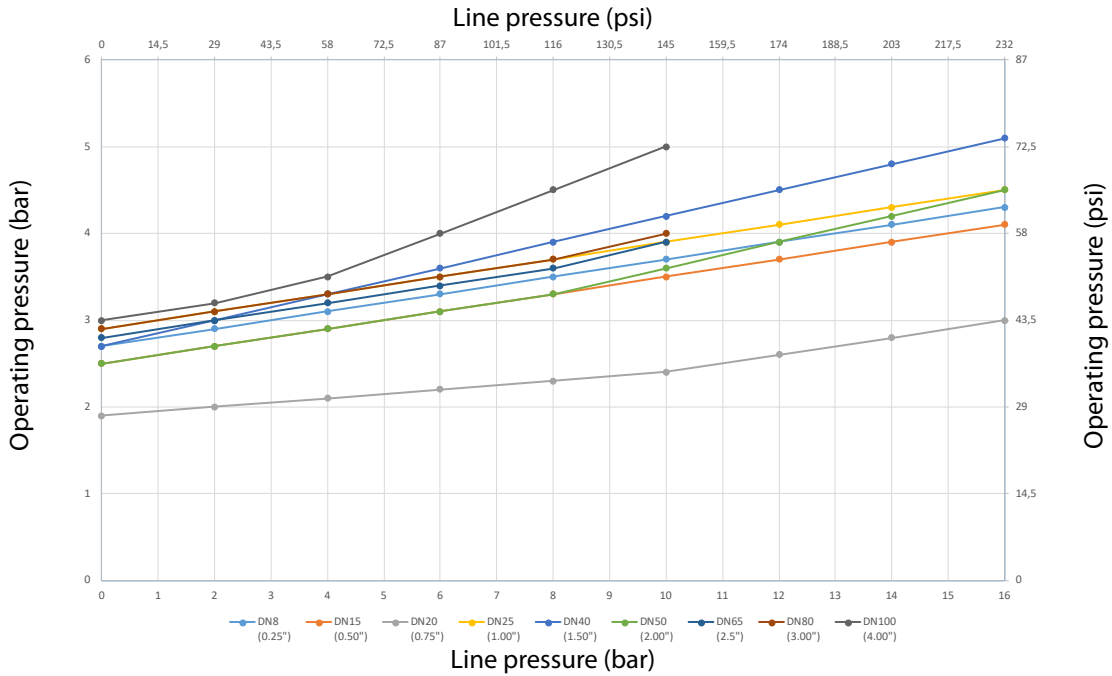
Performance characteristics for S360 Power Actuators Normally Closed with PTFE Diaphragms at 100% ΔP



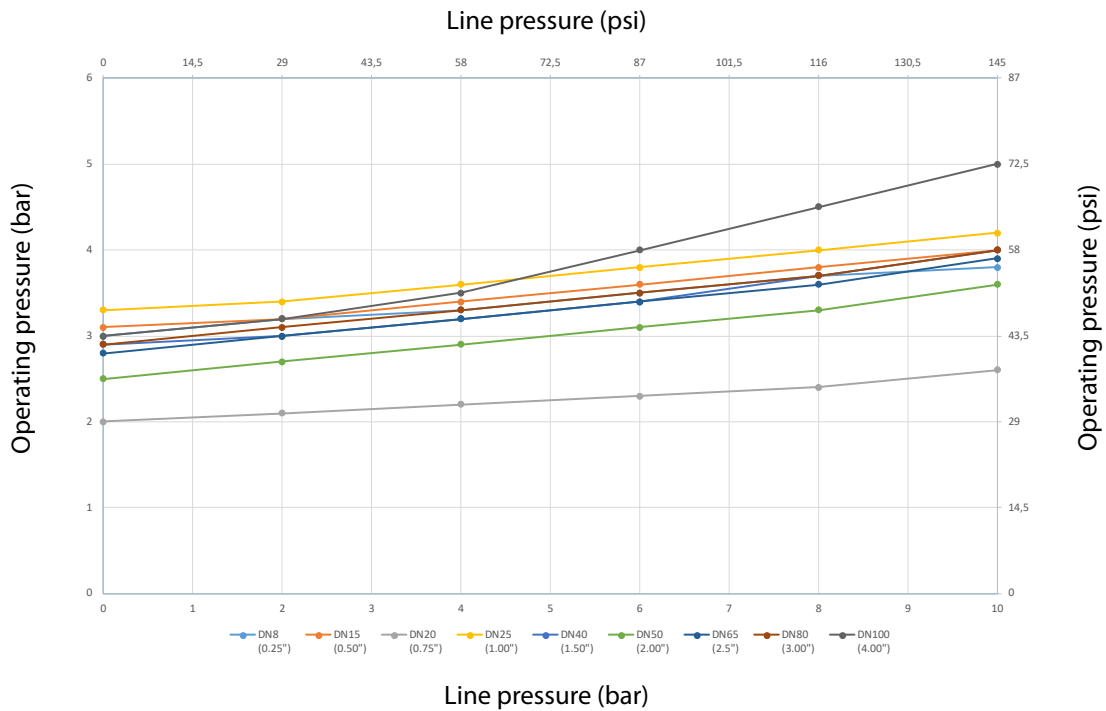
Graphs denote the operating air required to fully open the actuator at a given line pressure.

Saunders® S360 Normally Open Actuator

Performance characteristics for S360 actuators Normally Open with Elastomer Diaphragms at 100% ΔP

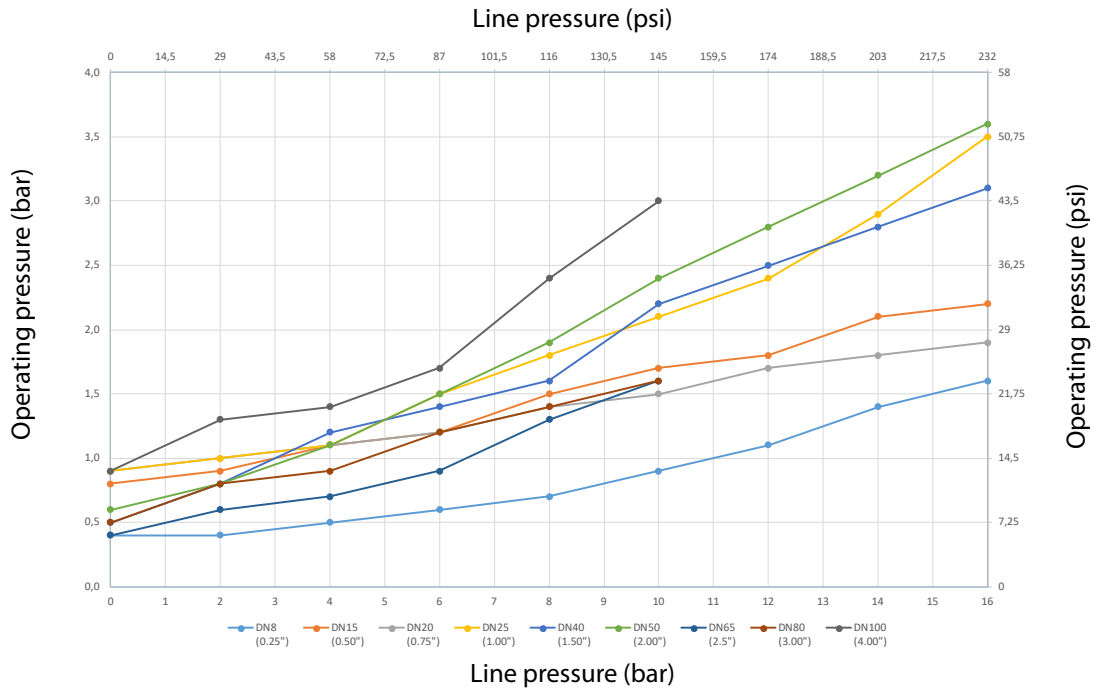


Performance characteristics for S360 actuators Normally Open with PTFE Diaphragms at 100% ΔP

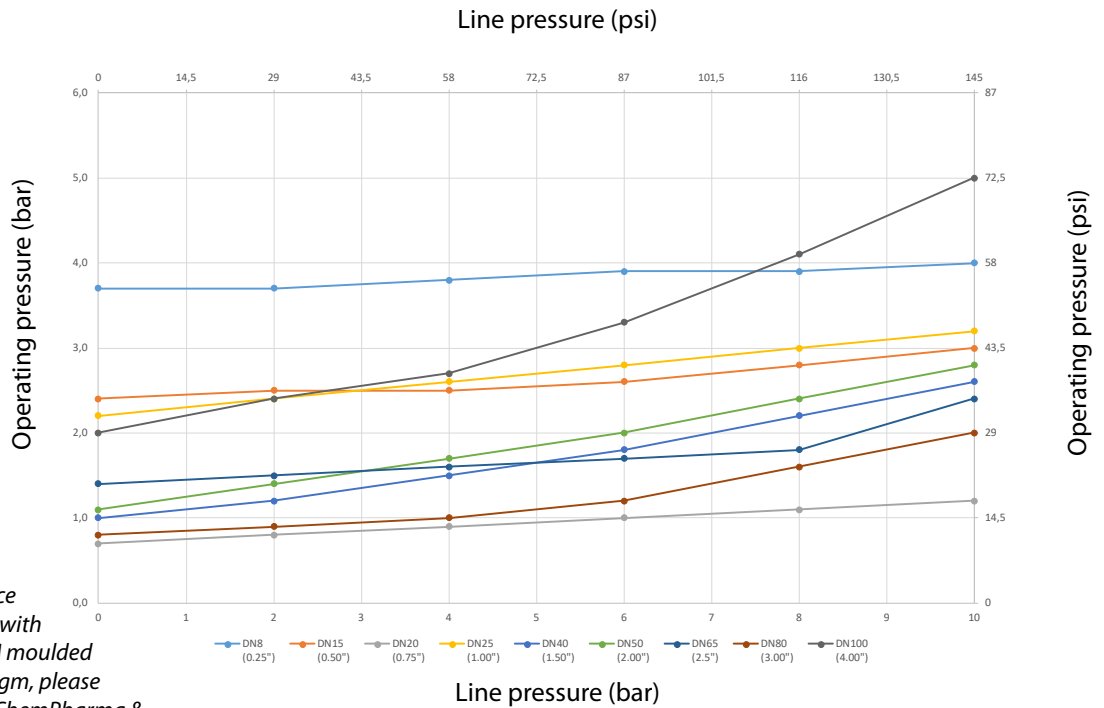


Saunders® S360 Double Acting Actuator

Performance characteristics for S360 actuators Double Acting with Elastomer Diaphragms at 100% ΔP

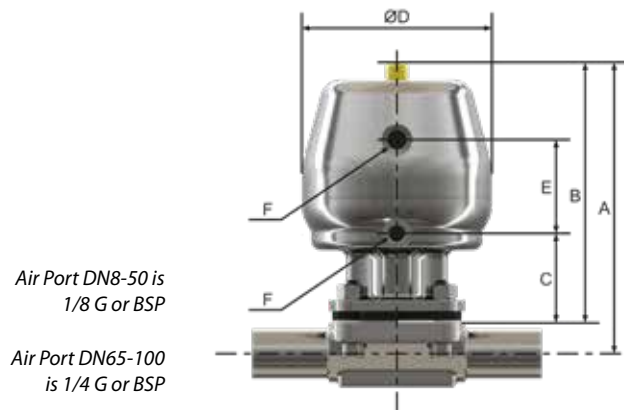


Performance characteristics for S360 actuators Double Acting with PTFE Diaphragms at 100% ΔP



For performance characteristics with Saunders® TFM moulded closed diaphragm, please consult Crane ChemPharma & Energy, Saunders®.

Actuator Dimensions (Metric)



S360 Lite Normally Closed Actuator Dimensions (Metric)

Actuator Size	Dimensions (mm)						Actuator Weight (Kg)
	A	B	C	D	E	F	Flanged
DN8	90,1	81,5	21,5	55,25	-	1/8 BSP/NPT	0,5
DN15	114,75	105,4	35,2	67,5	-	1/8 BSP/NPT	1,06
DN20	143,2	130,2	44,3	88	-	1/8 BSP/NPT	1,93
DN25	150,7	135	46,6	98	-	1/8 BSP/NPT	2,56
DN40	183	161	54,4	98	-	1/8 BSP/NPT	3,3
DN50	237,7	209,3	60,2	123	-	1/8 BSP/NPT	6,05
DN65	335,2	294,7	72	186	-	1/4 BSP/NPT	17,5
DN80	392	344	89	236	-	1/4 BSP/NPT	32
DN100	421	346	89	236	-	1/4 BSP/NPT	35,8

S360 Power Normally Closed Actuator Dimensions (Metric)

Actuator Size	Dimensions (mm)						Actuator Weight (Kg)
	A	B	C	D	E	F	Flanged
DN15	114,75	105,4	35,2	67,5	-	1/8 BSP/NPT	1,1
DN20	143,8	130,8	40,8	98,2	-	1/8 BSP/NPT	2,5
DN25	150,7	135	46,6	98	-	1/8 BSP/NPT	2,57
DN40	206,6	184,6	54,7	123	-	1/8 BSP/NPT	5,3
DN50	242	213,6	60,2	150	-	1/8 BSP/NPT	8,8

S360 Lite Normally Open Actuator Dimensions (Metric)

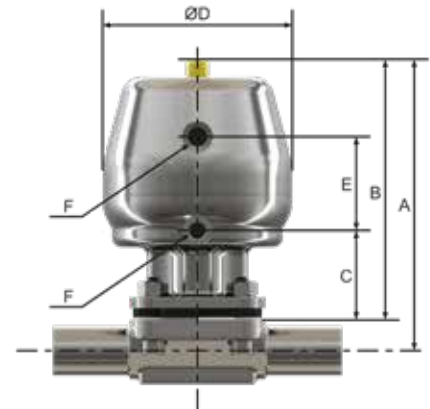
Actuator Size	Dimensions (mm)						Actuator Weight (Kg)
	A	B	C	D	E	F	Flanged
DN8	90,1	81,5	21,5	55,25	42	1/8 BSP/NPT	0,4
DN15	114,75	105,4	35,2	67,5	49	1/8 BSP/NPT	0,9
DN20	143,8	130,8	40,8	98,2	51	1/8 BSP/NPT	2,3
DN25	150,7	135	46,6	98	48,4	1/8 BSP/NPT	2,37
DN40	206,6	184,6	54,7	123	75	1/8 BSP/NPT	4,5
DN50	242	213,6	60,2	150	86,5	1/4 BSP/NPT	7,4
DN65	335,2	294,7	73	186	172	1/4 BSP/NPT	17
DN80	408	360	90	236	114	1/4 BSP/NPT	34
DN100	436	361	90	236	114	1/4 BSP/NPT	37

S360 Double Acting Actuator Dimensions (Metric)

Actuator Size	Dimensions (mm)						Actuator Weight (Kg)
	A	B	C	D	E	F	Flanged
DN8	90,1	81,5	21,5	55,25	42	1/8 BSP/NPT	0,4
DN15	114,75	105,4	35,2	67,5	49	1/8 BSP/NPT	0,8
DN20	143,8	130,8	40,8	98,2	51	1/8 BSP/NPT	2,2
DN25	150,7	135	46,6	98	48,4	1/8 BSP/NPT	2,27
DN40	206,6	184,6	54,7	123	75	1/8 BSP/NPT	4,3
DN50	242	213,6	60,2	150	86,5	1/4 BSP/NPT	7,1
DN65	335,2	294,7	73	186	172	1/4 BSP/NPT	13,6
DN80	408	360	90	236	114	1/4 BSP/NPT	27
DN100	436	361	90	236	114	1/4 BSP/NPT	32,4

Dimension "A" relates to 2-way body OD tubing; all other body variations are available at <http://drawings.craneflow.com>. Please contact Crane ChemPharma & Energy, Saunders® for the latest dimensional information. The above drawing should only be used as a general reference.

Actuator Dimensions (Imperial)



Air Port DN8-50 is
1/8 G or BSP

Air Port DN65-100
is 1/4 G or BSP

S360 Lite Normally Closed Actuator Dimensions (Imperial)

Actuator Size	Dimensions (inches)						Actuator Weight (lbs.) Flanged
	A	B	C	D	E	F	
0.25"	3,55	3,21	0,85	2,18	-	1/8 BSP/NPT	1,1
0.50"	4,52	4,15	1,39	2,66	-	1/8 BSP/NPT	2,33
0.75"	5,64	5,13	1,74	3,46	-	1/8 BSP/NPT	4,25
1.00"	5,93	5,31	1,83	3,86	-	1/8 BSP/NPT	5,64
1.50"	7,20	6,34	2,14	3,86	-	1/8 BSP/NPT	7,27
2.00"	9,36	8,24	2,37	4,84	-	1/8 BSP/NPT	13,33
2.50"	13,20	11,60	2,83	7,32	-	1/4 BSP/NPT	38,58
3.00"	15,43	13,54	3,50	9,29	-	1/4 BSP/NPT	70,54
4.00"	16,57	13,62	3,50	9,29	-	1/4 BSP/NPT	78,92

S360 Power Normally Closed Actuator Dimensions (Imperial)

Actuator Size	Dimensions (inches)						Actuator Weight (lbs.) Flanged
	A	B	C	D	E	F	
0.50"	4,52	4,15	1,39	2,66	-	1/8 BSP/NPT	2,42
0.75"	5,66	5,15	1,61	3,87	-	1/8 BSP/NPT	5,51
1.00"	5,93	5,31	1,83	3,86	-	1/8 BSP/NPT	5,66
1.50"	8,13	7,27	2,15	4,84	-	1/8 BSP/NPT	11,68
2.00"	9,53	8,41	2,37	5,91	-	1/8 BSP/NPT	19,4

S360 Lite Normally Open Actuator Dimensions (Imperial)

Actuator Size	Dimensions (inches)						Actuator Weight (lbs.) Flanged
	A	B	C	D	E	F	
0.25"	3,55	3,21	0,85	2,18	1,65	1/8 BSP/NPT	0,88
0.50"	4,52	4,15	1,39	2,66	1,93	1/8 BSP/NPT	1,98
0.75"	5,66	5,15	1,61	3,87	2,01	1/8 BSP/NPT	5,07
1.00"	5,93	5,31	1,83	3,86	1,91	1/8 BSP/NPT	5,22
1.50"	8,13	7,27	2,15	4,84	2,95	1/8 BSP/NPT	9,92
2.00"	9,53	8,41	2,37	5,91	3,41	1/4 BSP/NPT	16,31
2.50"	13,20	11,60	2,87	7,32	6,77	1/4 BSP/NPT	37,47
3.00"	16,06	14,17	3,54	9,29	4,49	1/4 BSP/NPT	74,95
4.00"	17,17	14,21	3,54	9,29	4,49	1/4 BSP/NPT	81,57

S360 Double Acting Actuator Dimensions (Imperial)

Actuator Size	Dimensions (inches)						Actuator Weight (lbs.) Flanged
	A	B	C	D	E	F	
0.25"	3,55	3,21	0,85	2,18	1,65	1/8 BSP/NPT	0,88
0.50"	4,52	4,15	1,39	2,66	1,93	1/8 BSP/NPT	1,76
0.75"	5,66	5,15	1,61	3,87	2,01	1/8 BSP/NPT	4,85
1.00"	5,93	5,31	1,83	3,86	1,91	1/8 BSP/NPT	5
1.50"	8,13	7,27	2,15	4,84	2,95	1/8 BSP/NPT	9,47
2.00"	9,53	8,41	2,37	5,91	3,41	1/4 BSP/NPT	15,65
2.50"	13,20	11,60	2,87	7,32	6,77	1/4 BSP/NPT	29,98
3.00"	16,06	14,17	3,54	9,29	4,49	1/4 BSP/NPT	59,52
4.00"	17,17	14,21	3,54	9,29	4,49	1/4 BSP/NPT	71,42

Dimension "A" relates to 2-way body OD tubing; all other body variations are available at <http://drawings.craneflow.com>. Please contact Crane ChemPharma & Energy, Saunders[®] for the latest dimensional information. The above drawing should only be used as a general reference.



Crane ChemPharma & Energy

Crane Process Flow Solutions Ltd.
Grange Road,
Cwmbran, Gwent NP44 3XX UK
Phone: + 44-1633-486666
Fax: + 44-1633-486777

Crane ChemPharma & Energy
4526 Research Forest Dr, Suite 400
The Woodlands, TX 77381, USA
PH: (936)-588-8360
SaundersOrders@CraneCPE.com
SaundersQuotes@CraneCPE.com

www.cranecpe.com



brands you trust.



CPE-SAUNDERS-S360-TD-EN-A4-2019_12_31

Crane Co., and its subsidiaries cannot accept responsibility for possible errors in catalogues, brochures, other printed materials, and website information. Crane Co. reserves the right to alter its products without notice, including products already on order provided that such alteration can be made without changes being necessary in specifications already agreed. All trademarks in this material are property of the Crane Co. or its subsidiaries. The Crane and Crane brands logotype, in alphabetical order, (ALOYCO®, CENTER LINE®, COMPAC-NOZ®, CRANE®, DEPA®, DUO-CHEK®, ELRO®, FLOWSEAL®, JENKINS®, KROMBACH®, NOZ-CHEK®, PACIFIC VALVES®, RESISTOFLEX®, REVO®, SAUNDERS®, STOCKHAM®, TRIANGLE®, UNI-CHEK®, WTA®, and XOMOX®) are registered trademarks of Crane Co. All rights reserved.